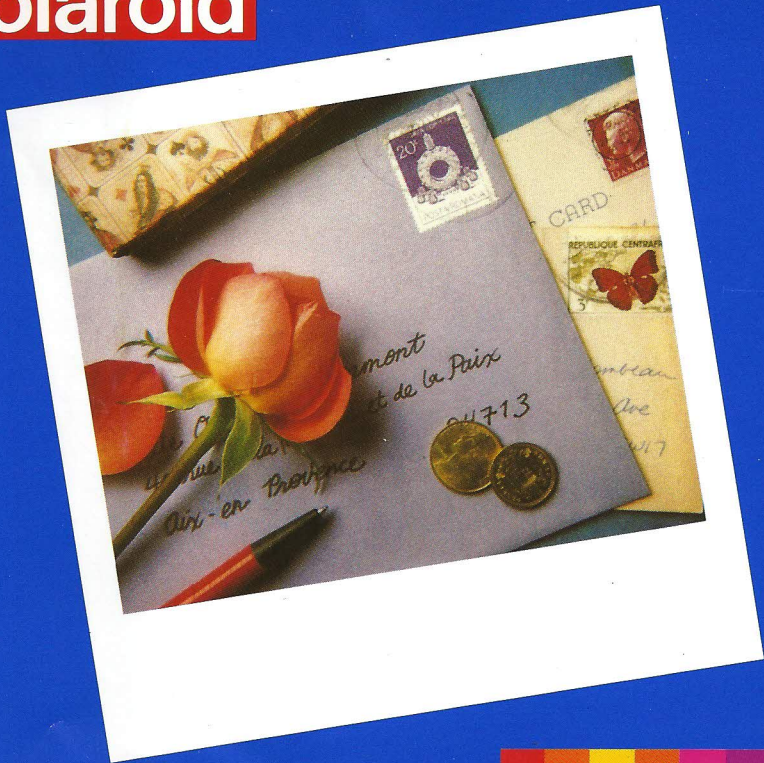
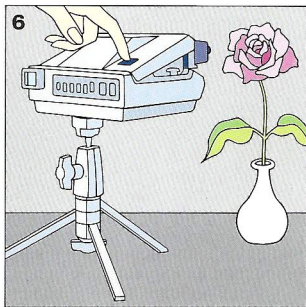
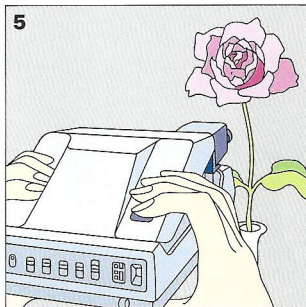
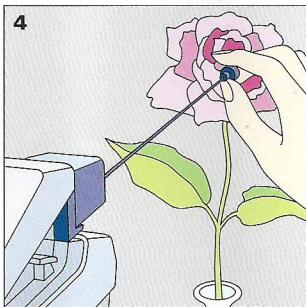
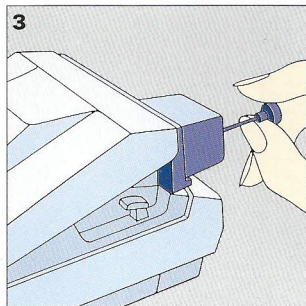
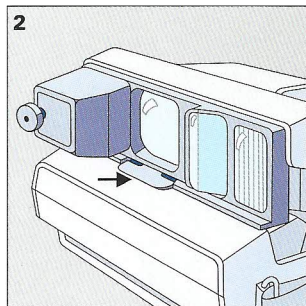
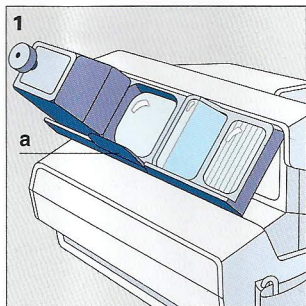


# Polaroid





### Close-up Lens F112

With the Polaroid Close-up Lens, you can photograph objects **10 inches** (25.4 cm) from the camera.

The lens attaches easily to the front of the Spectra or Image camera and produces a picture that shows an object at half its actual size.

### To attach the lens to your camera

- 1** Grip the bottom of the lens by the tab (a). Tilt the top of the lens toward the camera and fit it into the groove above the camera's lens (illustration **1**).
- 2** Swing the lens down. Then push the tab in, to snap the lens into place. Be sure the lens is securely mounted (illustration **2**).

**3 To remove the lens**, grasp the tab (a) and **gently** pull up. Be sure to remove the lens **before closing the camera**.

Avoid touching any lens surfaces.

**For best results, mount your camera on a tripod whenever possible.**

(Spectra 2 and Image 2 cameras do not have a tripod socket.)

